

DESCRIPTION

The Energy Scout Watthour Meter series includes several optional enclosures designed to suit a wide variety of indoor and outdoor situations. Surface mount and flange mount options are available in the standard models shown below. Each enclosure kit includes all necessary mounting hardware.

STANDARD ENCLOSURE OPTIONS	
DESCRIPTION	STD. MODEL
Indoor, Surface Mount	ENC-ISM
Indoor, Flush Mount	ENC-IFM
Outdoor, Surface Mount	ENC-OSM

Special enclosures are also offered which can accommodate multiple meters in a single enclosure, pre-wired CTs, special environmental requirements, integrated RF or wired communications, and many other options. A few examples of special enclosures are shown on the following page, or contact the factory with your special needs.

18 MONTH WARRANTY

STANDARD INDOOR ENCLOSURES

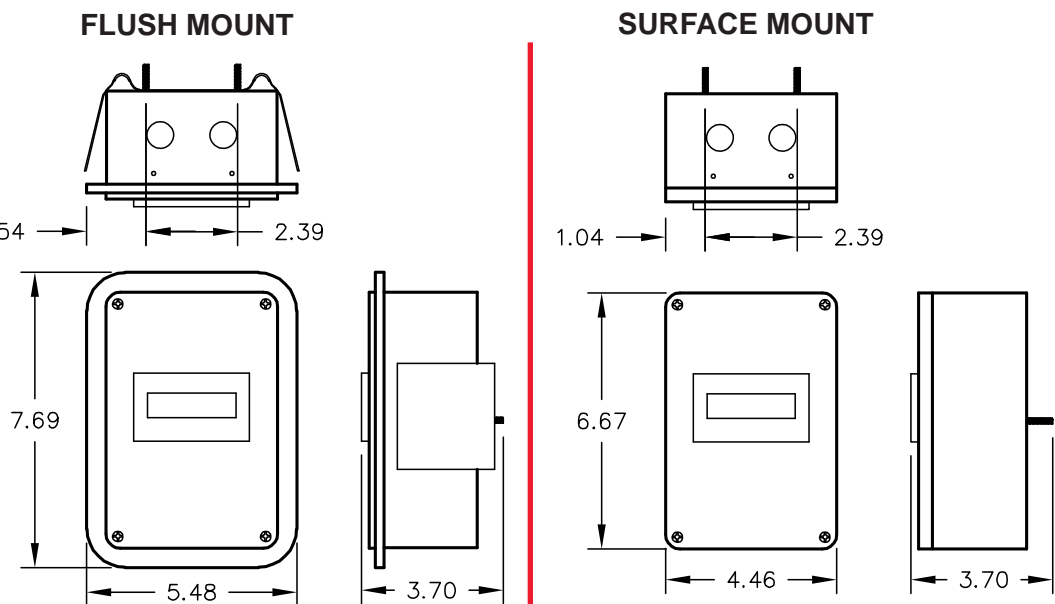
Indoor enclosure kits are available in either surface-mount or flush-mount styles. Both options include internal DIN-Rail and all mounting hardware.

FEATURES

- Easy-to-install kit includes all hardware
- Internal DIN-rail

ACCOMMODATES

- 1 Energy Scout Plus or
- Up to 7 Mini meters



STANDARD OUTDOOR SURFACE-MOUNT ENCLOSURE

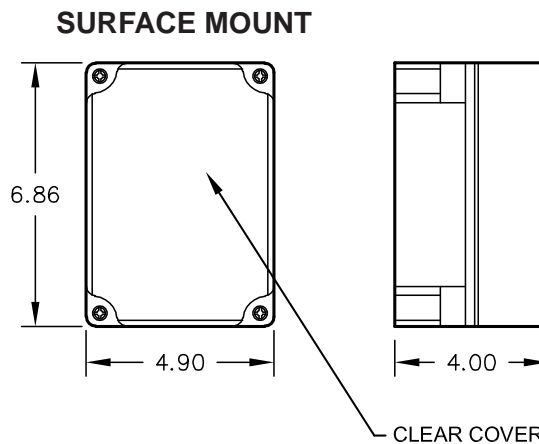
This versatile, water-tight enclosure is designed to accommodate one (1) Energy Scout Plus meter or up to seven (7) Mini meters. It includes internal DIN-Rail, gasketed cover, and meets or exceeds NEMA 3/4R Qual IP65.

FEATURES

- Easy-to-install kit includes all hardware
- Water-tight, gasketed cover
- Internal DIN-rail
- Meets or exceeds NEMA 3/4R Qual IP65

ACCOMMODATES

- 1 Energy Scout Plus or
- Up to 7 Mini meters



Dwg# 0902-00836-B

**ENC-ISM
SURFACE MOUNT ENCLOSURE ASSEMBLY AND MOUNTING**

HARDWARE SUPPLIED



ENCLOSURE AND COVER

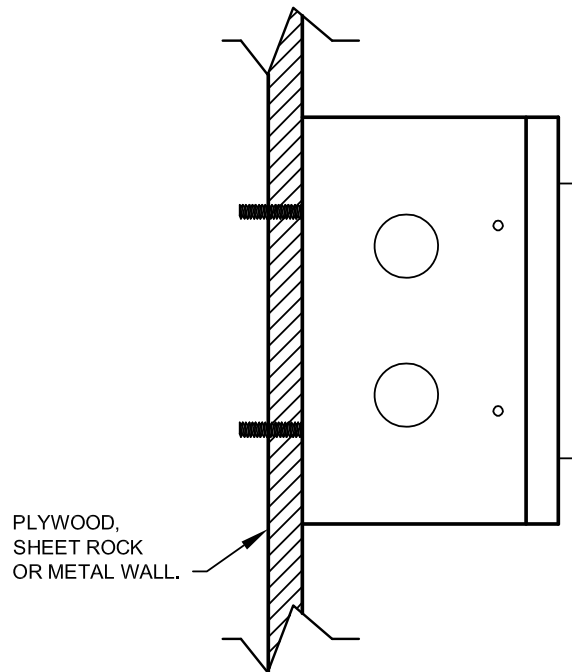


**ENCLOSURE ASSEMBLY
ADD HARDWARE TO ENCLOSURE**



**DRILL HOLES
AS REQUIRED
IN ENCLOSURE
FOR MOUNTING
SCREWS (BY
OTHERS).**

SURFACE MOUNT ASSEMBLY

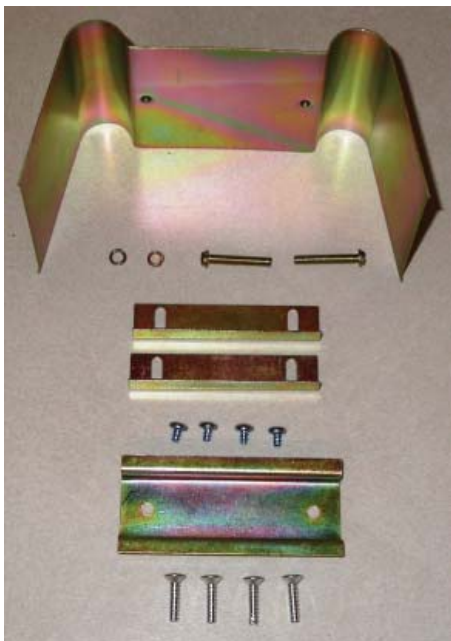


TOP VIEW

0902-00907-B

**ENC-IFM
FLUSH MOUNT ENCLOSURE ASSEMBLY AND MOUNTING**

HARDWARE SUPPLIED



ENCLOSURE AND COVER



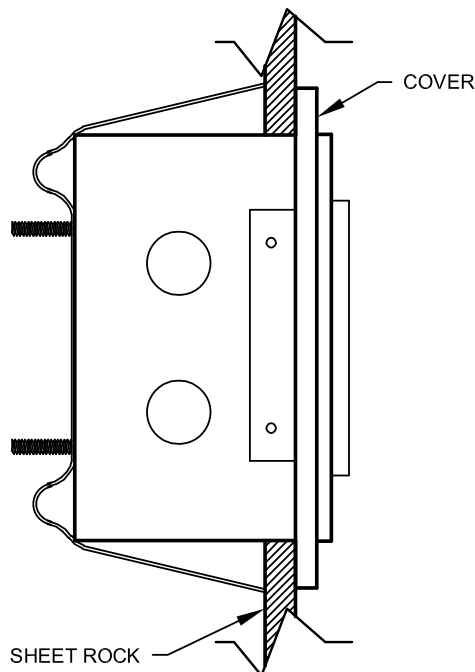
ENCLOSURE ASSEMBLY

ADD HARDWARE TO ENCLOSURE.



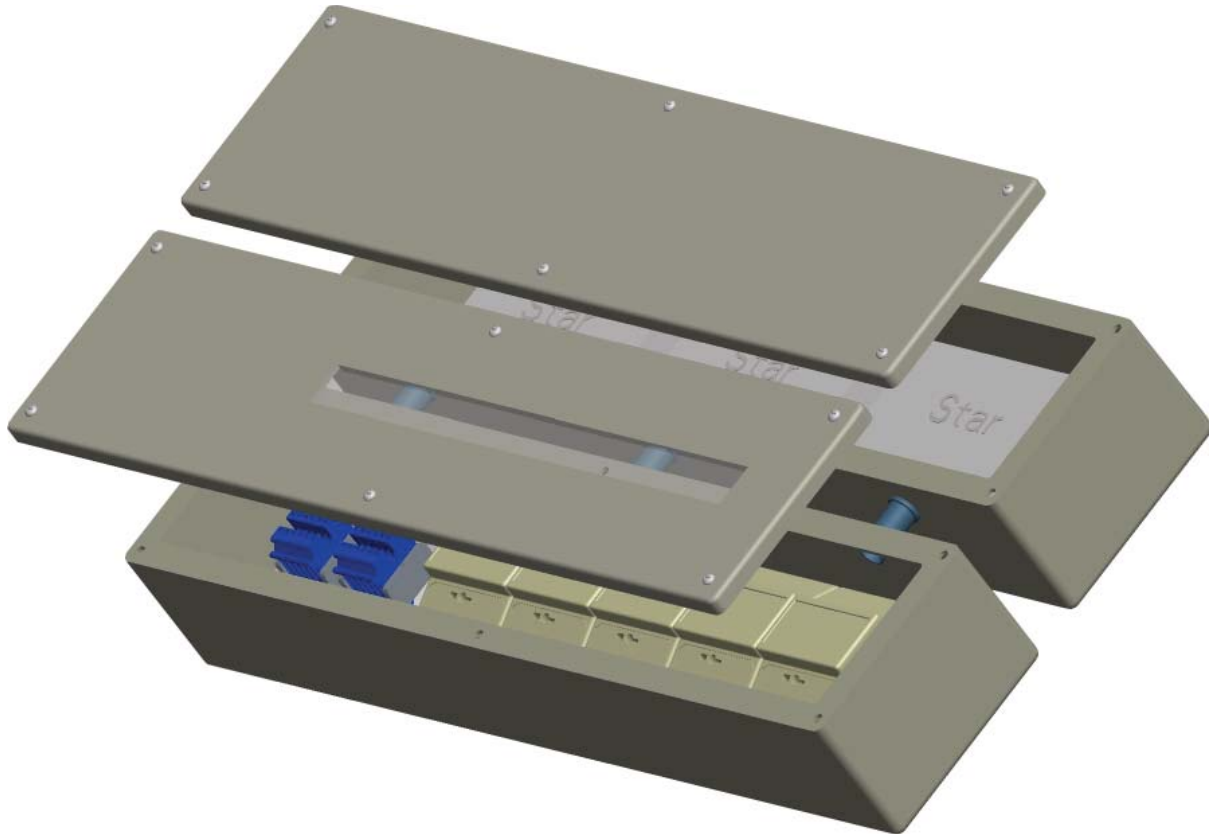
FLUSH MOUNT ASSEMBLY

CUT A 4.5" x 6.75" HOLE INTO WALL.
NO BEHIND THE WALL ACCESS.



TOP VIEW

0902-00908-B



Special Enclosure Example 1: Multiple DIN-rail-mounted *Energy Scout+ ESP2* Watthour meters connected to Aclara Star Network Encoder MTUs in an enclosure with integrated view window.